

128g铜板纸 105x148mm 折页 单黑



GP1.2KW-960Wh-1.16PV Mini ESS User Manual



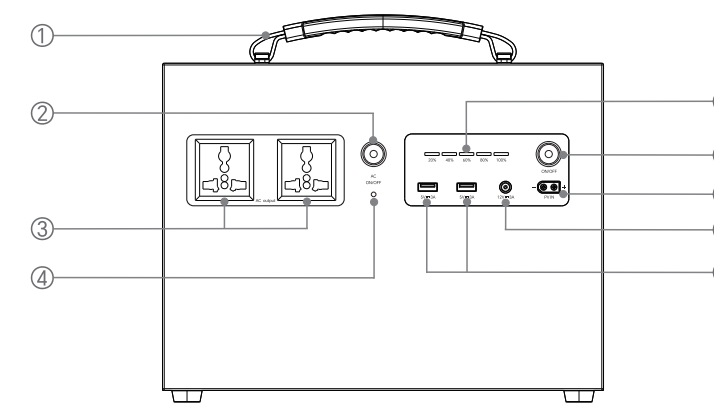
Thank you for choosing our product!

Please read this user manual carefully and follow the instructions to ensure proper operation, helping you quickly become familiar with the product in a more convenient and efficient way!

⚠️ Friendly Reminder

The specifications and images in this manual are for reference only. This product is designed for emergency use only and is not a replacement for standard AC power sources of household appliances or digital devices. AC power sockets and power adapters may vary depending on the customer's region.

Product Overview

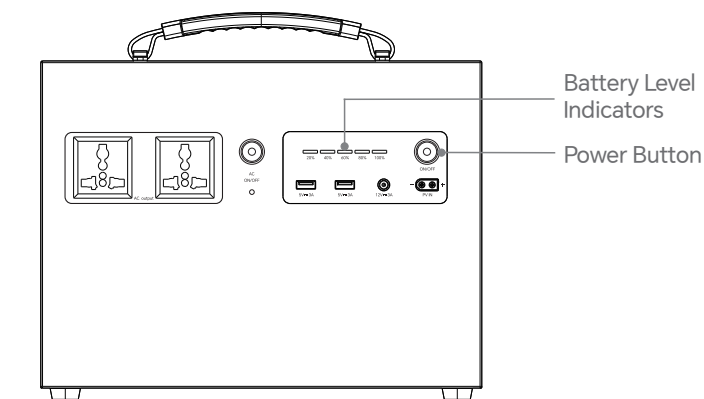


①	Carrying Handle	⑥	Power Button
②	AC Power Button	⑦	PV Input Port
③	AC Output Sockets	⑧	DC Output Port
④	AC Output Indicator	⑨	USB Output Ports
⑤	Battery Level Indicators		

Usage Instructions

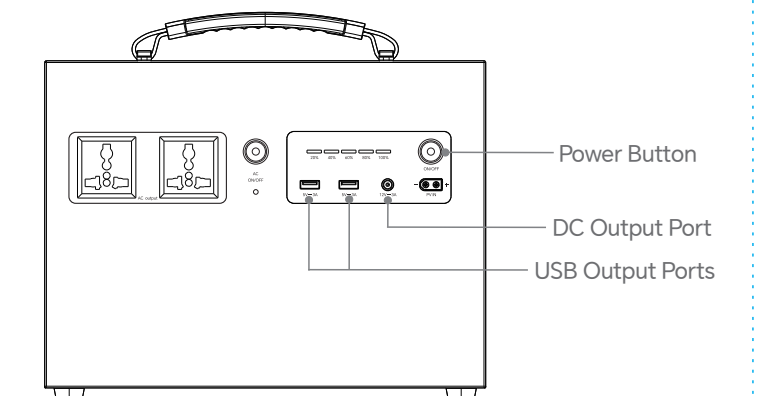
1. Powering On the Product

Press and hold the Power Button for 2 seconds to turn on the product. The LED indicators will light up, showing the current battery level—each LED represents approximately 20% of the total capacity. The fan will perform a self-test and automatically turn off after 3 seconds.



2. Using USB and DC Output

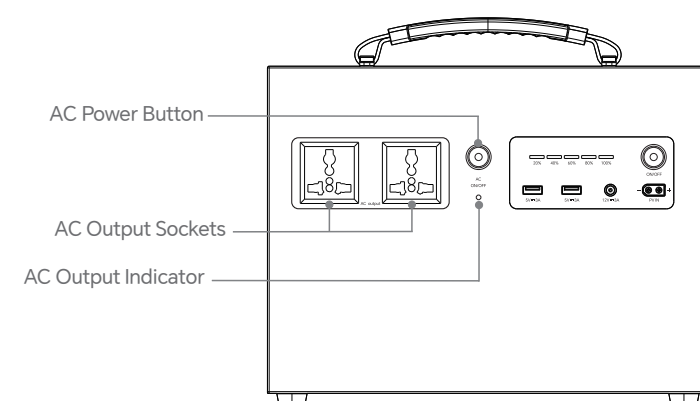
After the product is powered on, connect your digital device to the corresponding port using the appropriate cable to begin charging.



Note: If all battery level indicators flash simultaneously during use, it indicates a short circuit or overload in the DC/USB output. After resolving the issue, briefly press the Power Button to resume operation.

3. Using AC Output

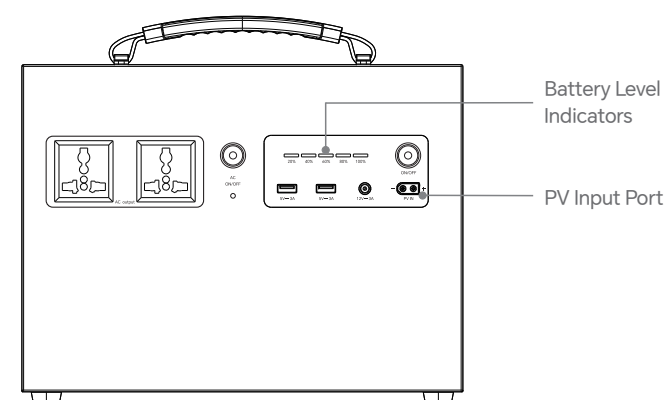
- After the product is powered on, briefly press the AC Power Button to activate the AC output function. The AC output indicator will light up.
- Plug the device you wish to power into the AC output socket.
- To switch the AC output frequency, press and hold the AC Power Button for 5 seconds. A red AC indicator light indicates 50Hz output, while a blue light indicates 60Hz.



Note: If both the battery level indicators and AC indicator flash at the same time, it indicates a short circuit or overload in the AC output. After resolving the issue, briefly press the AC Power Button to resume operation.

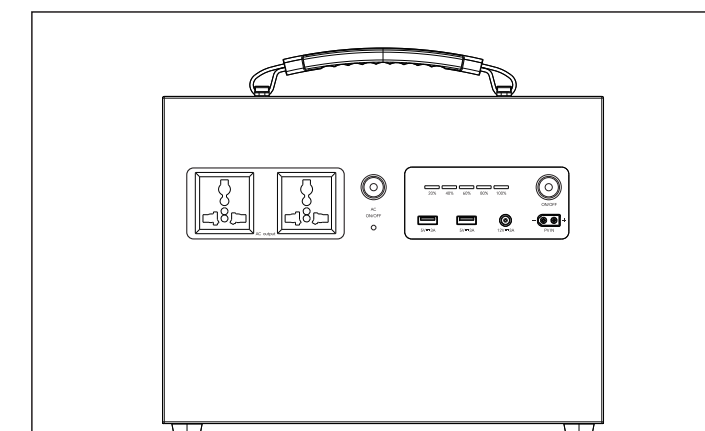
4. Charging the Product

To charge the product, connect the included cable to the PV Input Port and the other end to your solar panel. During charging, the battery level indicators will flash in sequence.



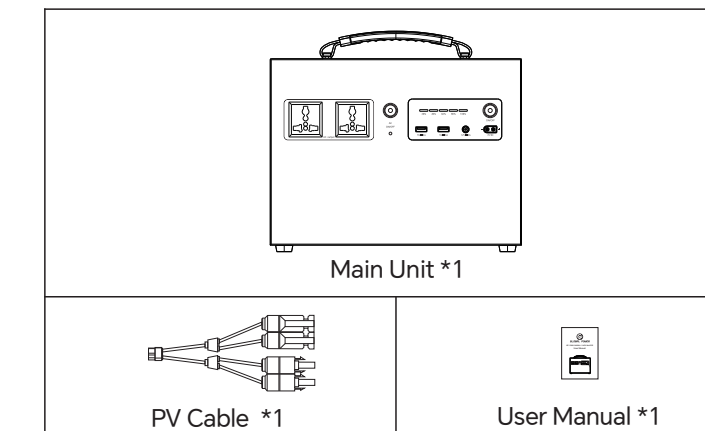
Note: If all battery level indicators flash simultaneously during charging, it indicates that the input voltage is too high or too low. Charging will automatically resume once the voltage returns to the normal range.

Product Specifications



Product Model	GP1.2KW-960Wh-1.16PV Mini ESS
Battery Capacity	960Wh, 19.2V 50Ah
PV Input	25-60V= 25A (Max 1160W)
DC Output	12V=3A (Max 36W)
USB Output	5V= 3A (Max 15W)
AC Output	220V~50/60Hz, 1200W (Peak 2400W)
Operating Temperature	-20~60°C

Package Contents



⚠️ Important Notes

- If the product will not be used for an extended period, it is recommended to maintain a certain battery level and recharge it at least once every three months.
- Slight heating during use or charging is normal and does not indicate a malfunction.
- Use the product in a normal temperature environment, and keep it away from moisture, high temperatures, and open flames.
- Store the product in a dry place away from damp and corrosive materials.
- Do not clean with harsh chemicals, soaps, or detergents.
- If the battery shows signs of swelling, leakage, or unusual odor, stop using immediately.
- Avoid dropping the product during use.
- Keep the product out of reach of children. If a child needs to use the power station, a parent or guardian should operate it according to the instructions.
- Do not dispose of the power station with household waste or incinerate it. Please protect the environment.

Reminder: Please read the manual thoroughly before use.



MADE IN CHINA